



**ENERPAC**   
POWERFUL SOLUTIONS. GLOBAL FORCE.

Safe and controlled  
clamping with  
hands-free operation

▼ Shown: BV5 Hydraulic Bench Vise



- 5-tons (44.5 kN) of force for forming and pressing applications
- 8-inch (203 mm) jaws hold large objects, making cumbersome tasks into one-person jobs
- Hands-free operation for safe and controlled actuation when paired with an Enerpac XA11G airpowered foot pump
- Flexible-use and ergonomically-friendly tool mounts as a press vertically or as a bench vise horizontally with a swivel base
- Rapid spring return makes repetitive work faster
- Accessory Magnetic Jaw Liners free hands by holding sockets, screws, rings, c-clips, springs, etc.
- Ships assembled with a heavy-duty 10-foot thermoplastic hydraulic hose, HC7210

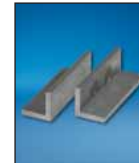
## Safe, controlled, hands-free clamping



### Hydraulic Bench Vise Sets

Order everything needed in one box to start working. The BV5 Hydraulic Bench Vise is available as a set (pump with gauge, tool, hose).

BV5 Set Model Number	Pump Model Number	Hose Model Number	Coupler Model Number
STV5X	XA11G	HC7210	CR400



### Magnetic Jaw Liners

Don't forget to order **BV5VC** Magnetic Jaw Liners. The magnet inserts hold steel objects like sockets, screws and rings.

Order model number<sup>1)</sup>

**BV5VC**



### Hydraulic Swivel Connector

An **XSC1** Hydraulic Swivel Connector allows optimal orientation of the Hydraulic Hose at the pump.

Order model number<sup>1)</sup>

**XSC1**

<sup>1)</sup> Accessories must be ordered separately.



*Enerpac BV5 Hydraulic Bench Vise mounted vertically for high-force pressing applications. ▶*

◀ *Enerpac BV5 Hydraulic Bench Vise with hands-free XA11G Foot Pump makes work with a large heavy piece into a one person job.*





## Hydraulic Bench Vise

The Hydraulic Bench Vise is a general purpose tool that can have multiple clamping and holding applications. Its hydraulic cylinder applies force of up to 5 tons (44.5 kN), three-to-five times the force of a manually operated vise. Hydraulic pressure closes the vise, and spring-return opens the jaws. By pairing the Hydraulic Bench Vise with an Enerpac XA11G air-powered hydraulic power unit, the user can actuate the vise with the foot pedals while using both hands to perform work. In holding large objects, this can enable an otherwise cumbersome task to become a fast and easy one-person job. In addition, the XA11G provides the

control for the Hydraulic Bench Vise to hold even delicate objects without crushing. The integrated gauge of the XA11G provides clear indication of system status for better control of the tool.

The Hydraulic Bench Vise can be installed horizontally on a flat surface, vertically as a press, or in any other orientation that satisfies the safety criteria stipulated by the operators' manual.

## BV5 Series



Maximum Force:

**5 tons**

Maximum Jaw Opening:

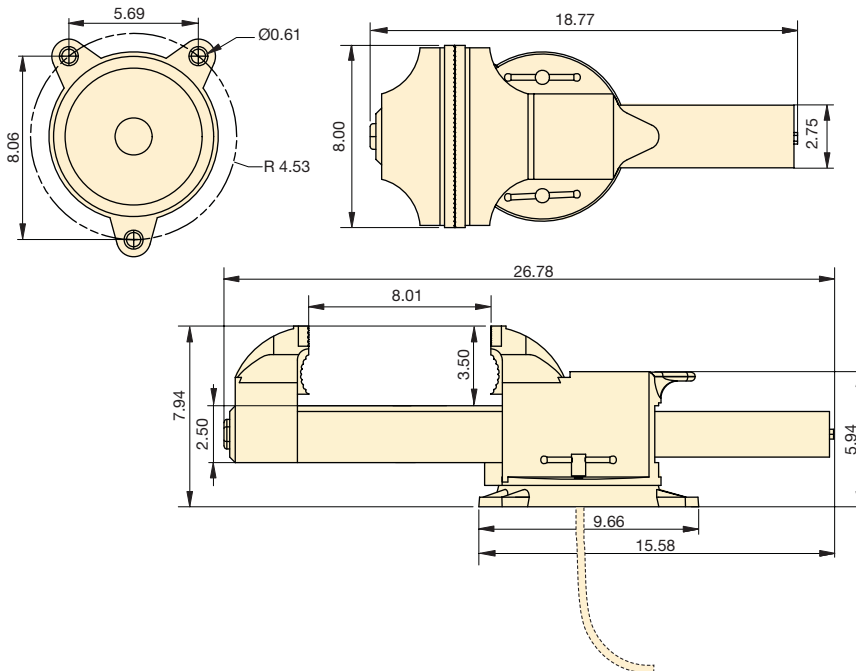
**8 inches**

Jaw Width:

**8 inches**

Maximum Operating Pressure:

**10,000 psi**



▼ Enerpac BV5 Hydraulic Bench Vise with hands-free XA11G Foot Pump for safe and controlled actuation.



### ▼ SELECTION CHART

Maximum Force (10,000 psi)	Model Number	Oil Capacity	Height	Jaw Width	Jaw Opening (Fully Open)	Length (Jaws Closed)	Length (Jaws Open)	Weight (Vise only)
(ton)		(in <sup>3</sup> )	(in)	(in)	(in)	(in)	(in)	(lbs)
5	<b>BV5</b>	8	7.9	8.0	8.0	18.8	26.8	56

# BV-Series Hydraulic Bench Vise



**ENERPAC**

## The Industrial Tools Line

### Cylinders

- General Purpose
- Pancake
- Aluminum Lightweight
- Low Height
- Heavy Duty
- Hollow Plunger
- Industrial
- Pull
- Long Stroke
- Jacks
- Spread

### Pumps

- Manual
- Electric Driven
- Compressed Air Driven
- Petrol Driven

### System Components

- Hoses, Couplers, Oil
- Gauges, Adaptors
- Manifolds, Fittings

### Valves

- 3- and 4-Way Directional
- Pressure and Flow Control

### Presses

- Bench and Workshop
- Roll Frame Presses
- Arbor and C-Clamps

### Pullers

- Master Pullers Sets
- Multi Purpose Puller Sets
- Posi Lock® Pullers

### Tools

- Maintenance Sets
- Punches
- Machine Lifts
- Load Skates
- Cutters
- Pipe Benders

### Bolting Tools

- Nut Splitters
- Flange/Wedge Spreaders
- Flange Alignment Tools
- Torque Wrenches
- Hydraulic Wrench Pumps
- Twin Safety Hoses

### Integrated Hydraulic Solutions

- Stage Lift Systems
- Synchronous Lifting Systems
- Synchronous Hoisting Systems

## Enerpac Worldwide Locations

### Africa

ENERPAC Middle East FZE  
Office 423, JAFZA 15  
P.O. Box 18004  
Jebel Ali, Dubai  
United Arab Emirates  
Tel:+971 (0)4 8872686  
Fax:+971 (0)4 8872687

### Australia, New Zealand

Actuant Australia Ltd.  
Block V Unit 3  
Regents Park Estate  
391 Park Road  
Regents Park NSW 2143  
(P.O. Box 261) Australia  
Tel:+61 297 438 988  
Fax:+61 297 438 648

### Brazil

Power Packer do Brasil Ltda.  
Rua dos Inocentes, 587  
04764-050 - Sao Paulo (SP)  
Tel:+55 11 5687 2211  
Fax:+55 11 5686 5583  
Toll Free: 0800 891 5770  
vendasbrasil@enerpac.com

### Canada

Actuant Canada Corporation  
6615 Ordan Drive, Unit 14-15  
Mississauga, Ontario L5T 1X2  
Tel:+1 905 564 5749  
Fax:+1 905 564 0305  
Toll Free:  
Tel: +1 800 268 4987  
Fax:+1 800 461 2456  
Technical Inquiries:  
techservices@enerpac.com

### China

Actuant Industries Co., Ltd.  
No. 6 East Nanjing Road  
Taicang, Jiangsu Province  
215400, China  
Tel:+86 0512 5328 7500  
Fax:+86 0512 5335 9690  
Actuant China Ltd. (Beijing)  
709B Diyang Building  
Xin No. 2  
Dong San Huan North Rd.  
Beijing City, 100028 China  
Tel: +86 10 845 36166  
Fax:+86 10 845 36220

### Japan

Applied Power Japan LTD KK  
Besshocho 85-7  
Kita-ku, Saitama-shi 331-0821  
Japan  
Tel:+81 48 662 4911  
Fax:+81 48 662 4955

### France and Switzerland

ENERPAC Une division de ACTUANT  
France S.A.  
ZA de Courtaboeuf  
32, avenue de la Baltique  
91140 VILLEBON /YVETTE  
France  
Tel:+33 1 60 13 68 68  
Fax:+33 1 69 20 37 50

### Germany, Austria, Switzerland, Greece, Central and Eastern Europe

ENERPAC GmbH  
P.O. Box 300113  
D-40401 Düsseldorf  
Willstätterstrasse 13  
D-40549 Düsseldorf Germany  
Tel:+49 211 471 490  
Fax:+49 211 471 49 28

### India

ENERPAC Hydraulics  
(India) Pvt. Ltd.  
No. 1A, Peenya Industrial Area,  
IInd Phase,  
Bangalore, 560 058  
India  
Tel:+91 80 40 792 777  
Fax:+91 80 40 792 792

### Italy

ENERPAC S.p.A.  
Via Canova 4  
20094 Corsico (Milano)  
Tel:+39 02 4861 111  
Fax:+39 02 4860 1288

### Middle East, Turkey and Caspian Sea

ENERPAC Middle East FZE  
Office 423, JAFZA 15  
P.O. Box 18004  
Jebel Ali, Dubai  
United Arab Emirates  
Tel:+971 (0)4 8872686  
Fax:+971 (0)4 8872687

### Russia and CIS (excl. Caspian Sea Countries)

Actuant LLC  
Admiral Makarov Street 8  
125212 Moscow  
Russia  
Tel:+7-495-9809091  
Fax:+7-495-9809092

### Scandinavia

Enerpac Scandinavia AB  
Fabriksgatan 7  
41250 Gothenburg  
Sweden  
Tél:+46 31 7990281  
Fax:+46 31 7990010

### Singapore

Actuant Asia Pte Ltd.  
37C, Benoi Road Pioneer Lot,  
Singapore 627796  
Tel:+65 68 63 0611  
Fax:+65 64 84 5669  
Toll Free:  
Tel: +1800 363 7722  
Technical Inquiries:  
techsupport@enerpac.com.sg

### South Korea

Actuant Korea Ltd.  
3Ba 717, Shihwa Industr. Complex  
Jungwang-Dong, Shihung-Shi,  
Kyunggi-Do  
Republic of Korea 429-450  
Tel:+82 31 434 4506  
Fax:+82 31 434 4507

### Spain and Portugal

ENERPAC SPAIN, S.L.  
Avda. Los Frailes 40 - Nave C & D  
Pol. Ind. Los Frailes  
28814 Daganzo de Arriba (Madrid)  
Spain  
Tel:+34 91 661 11 25  
Fax:+34 91 661 47 89

### The Netherlands, Belgium, Luxembourg, Denmark, Norway, Finland, Baltic States

ENERPAC B.V.  
Galvanistraat 115, 6716 AE Ede  
P.O. Box 8097, 6710 AB Ede  
The Netherlands  
Tel:+31 318 535 911  
Fax:+31 318 525 613  
+31 318 535 848  
Technical Inquiries Europe:  
techsupport.europe@enerpac.com

### ENERPAC

Daalackerweg 24  
6041 BL Roermond  
P.O. Box 49, 6040 AA, Roermond  
The Netherlands  
Tel:+31 475 355 000  
Fax:+31 475 331 774

### United Kingdom and Ireland

ENERPAC Ltd.,  
Bentley Road South  
Darlaston, West Midlands  
WS10 8LQ, England  
Tel:+44 (0)121 50 50 787  
Fax:+44 (0)121 50 50 799

### USA, Latin America and Caribbean

ENERPAC  
P.O. Box 3241  
6100 N. Baker Road  
Milwaukee, WI 53209 USA  
Tel:+1 262 781 6600  
Fax:+1 262 783 9562  
User inquiries:  
+1 800 433 2766  
Distributor inquiries/orders:  
+1 800 558 0530  
Technical Inquiries:  
techservices@enerpac.com  
ENERPAC  
704 W. Simonds  
Dallas, TX 75159, USA  
Tel: +1 972 287 2390  
Fax:+1 972 287 4469

102808

e-mail: [info@enerpac.com](mailto:info@enerpac.com)  
Internet: [www.enerpac.com](http://www.enerpac.com)

Your Enerpac Distributor: